

MULTITEL SMX 250.2

Ente	Rev.	Descrizione	Data	Dis.	Contr.	Ap.AQ
MRK	0	EMISSIONE	03/04/19	A.G.		
DIAGRAMMA - SCHEDA 54/2 - Rev. 0 - 15/12/00						

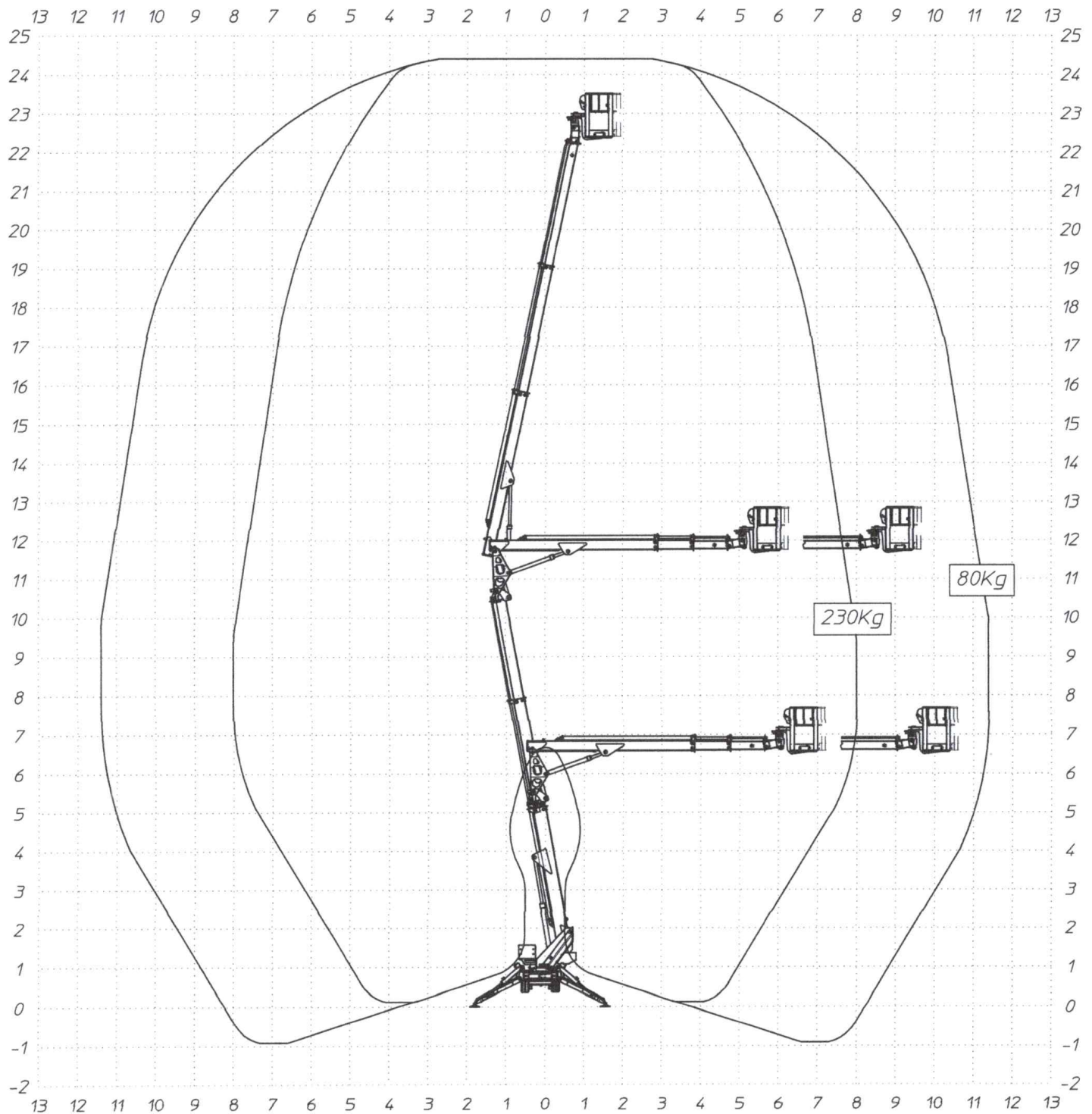
D66441

230Kg

80Kg

STABILIZZATORI COMPLETAMENTE ESTESI
FULLY EXTENDED STABILIZERS
STABILISATEURS COMPLETEMENT ETENDUS
GANZ AUSGEFAHRENE STÜTZEN

SBRACCIO DI LAVORO 8,00m ±5% 11,40m ±5%
WORKING OUTREACH 8,00m ±5% 11,40m ±5%
DEPORT DE TRAVAIL 8,00m ±5% 11,40m ±5%
SEITLICHE REICHWEITE 8,00m ±5% 11,40m ±5%

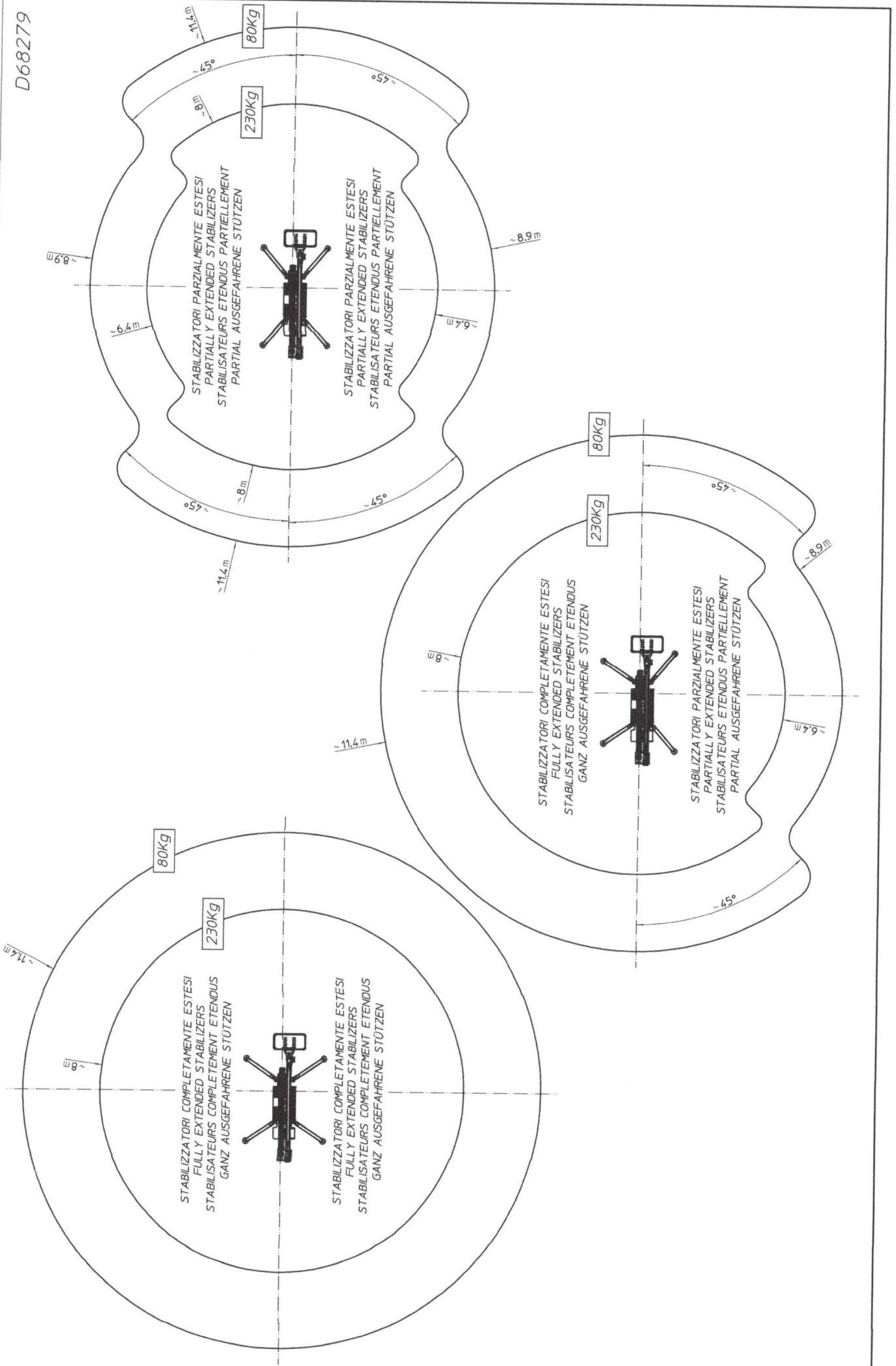


MULTITEL S/MX 250.2

Ente	Rev.	Descrizione	Data	Dis.	Contr.	Ap.AQ
MRK	0	EMISSIONE	21/10/20	F.Z.		

DIAGRAMMA - SCHEDA 54/2 - Rev. 0 - 15/12/00

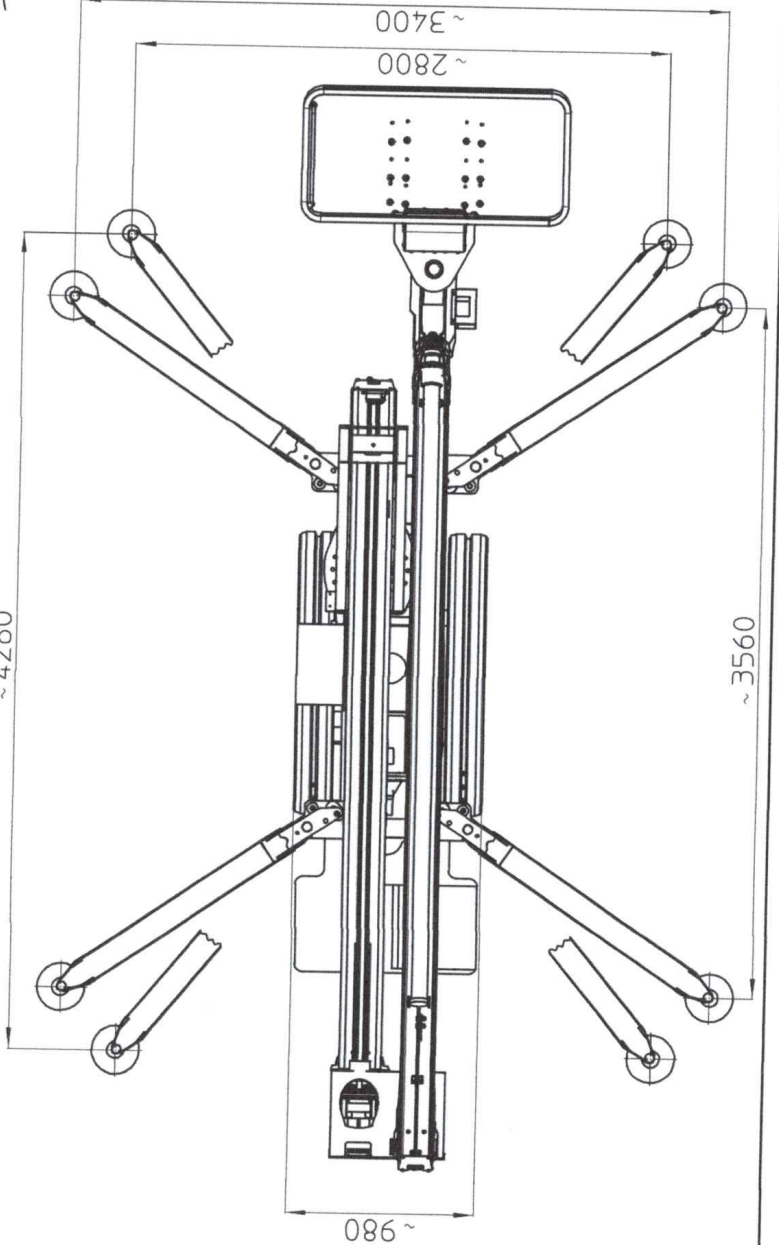
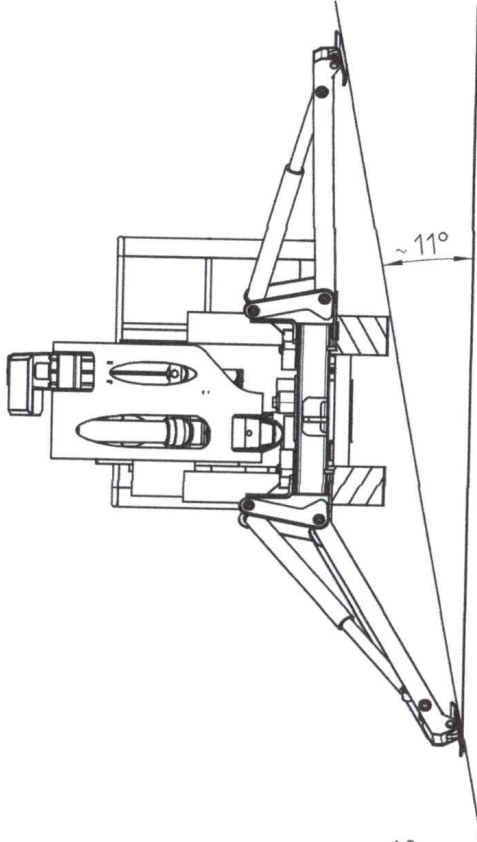
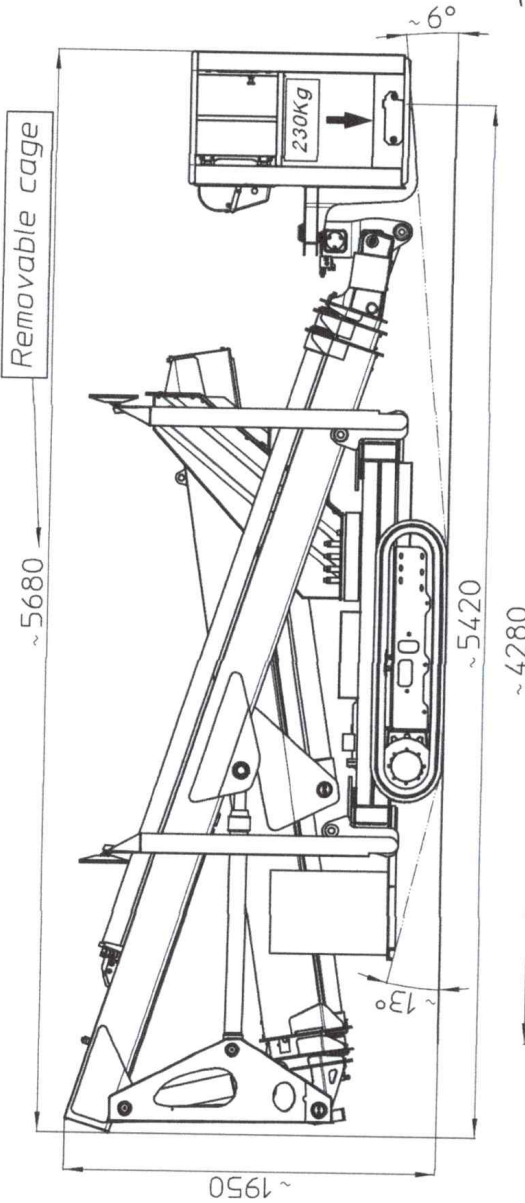
D668279



MULTITEL SMX 2502

Ente	Rev.	Descrizione	Data	Dis.	Contr.	Ap.A0
MRK	0	EMISSIONE	03/04/19	A.G.		
INGOMBRO - SCHEDA 54/1 - Rev. 0 - 15/12/00						

D66443



WORKING DIAGRAM	STABILIZATION TYPE	CAGE PAYLOAD (kg)
	PARTIALLY EXTENDED STAB.	230kg
STABILIZATION DRAWING	TOTALLY EXTENDED STAB.	D66442
		D66441
UNLOAD WEIGHT		~2700 kg
NOTES:		

MULTITEL SMX 250.2

Ente	Rev.	Descrizione	Data	Dis.	Contr.	Ap.AQ
MRK	0	EMISSIONE	03/04/19	A.G.		
DIAGRAMMA - SCHEDA 54/2 - Rev. 0 - 15/12/00						

D66442

STABILIZZATORI PARZIALMENTE ESTESI
PARTIALLY EXTENDED STABILIZERS
STABILISATEURS ETENDUS PARTIELLEMENT
PARTIAL AUSGEFAHRENE STÜTZEN

SBRACCIO DI LAVORO
WORKING OUTREACH
DEPORT DE TRAVAIL
SEITLICHE REICHWEITE

230Kg

80Kg

6,40m ±5%

8,90m ±5%

6,40m ±5%

8,90m ±5%

6,40m ±5%

8,90m ±5%

6,40m ±5%

8,90m ±5%

